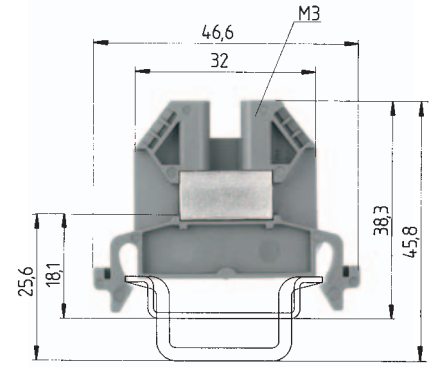
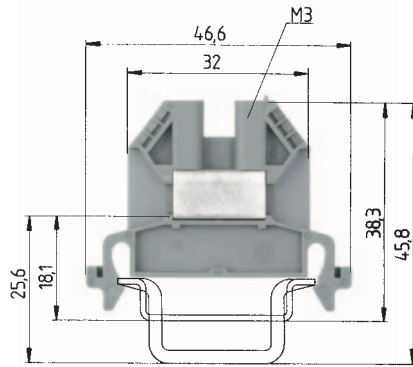


Feed-through blocks with screw connection, type 9700 A.. S35

selos CLASSIC LINE



9700 A/5 S35

fine-stranded solid V A
 0.5–2.5 mm² 0.5–4 mm² 800 V/8 kV/3 24
 No. 18-12 AWG 600 V 20/30
 No. 22-12 AWG 600 V 25
 5 mm 9 mm



9700 A/6 S35

fine-stranded solid V A
 0.5–4 mm² 0.5–6 mm² 800 V/8 kV/3 32
 No. 18-10 AWG 600 V 30/30
 No. 22-10 AWG 600 V 35
 6 mm 9 mm

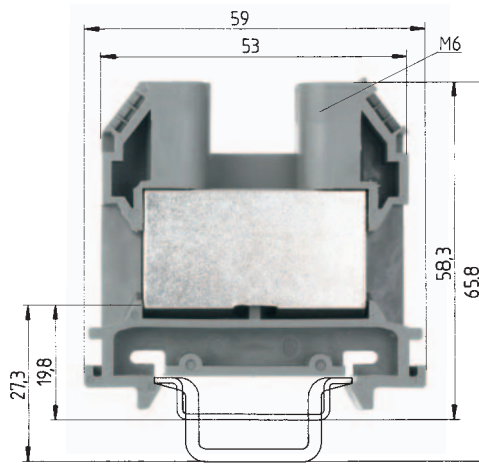


DIN VDE 0611 Teil 3/11.98
 UL ratings field/factory wiring
 CSA ratings
 Width Wire strip length
 Approvals

	Type	Part No.	Std. Pack	Type	Part No.	Std. Pack
Feed-through terminal gray	9700 A/5 S35	54.003.7553.0	100	9700 A/6 S35	54.004.7553.0	100
Feed-through terminal, (Ex)i blue	9700 A/5 S35 BLAU	54.003.7553.6	100	9700 A/6 S35 BLAU	54.004.7553.6	100
Neutral disconnect block blue						
Ground block green-yellow						
PEN terminal green/yellow - blue						
Accessories						
1. Mounting rail TS 35, DIN rail, 7.5 mm high L = 2 m	35 x 27 x 7,5 EN 60715	98.300.0000.0	1	35 x 27 x 7,5 EN 60715	98.300.0000.0	1
Mounting rail TS 35, DIN rail 15 mm high L = 2 m	35 x 27 x 15 EN 60715	98.360.0000.0	1	35 x 27 x 15 EN 60715	98.360.0000.0	1
2. End clamp TS 35, with screw 8 mm wide	9708/2 S35	Z5.522.8553.0	100	9708/2 S35	Z5.522.8553.0	100
3. End plate gray	9701/6	07.310.3153.0	10	9701/6	07.310.3153.0	10
blue	9701/6 BLAU	07.310.3153.6	10	9701/6 BLAU	07.310.3153.6	10
green						
4. Partition plate gray	9702/6	07.310.3453.0	10	9702/6	07.310.3453.0	10
blue	9702/6 BLAU	07.310.3453.6	10	9702/6 BLAU	07.310.3453.6	10
5. Jumper bar with screws, 2pole	9703/5-2	Z7.215.0227.0	50	9703/6-2	Z7.211.0227.0	50
E-Cu, uninsulated 3pole	9703/5-3	Z7.215.0327.0	50	9703/6-3	Z7.211.0327.0	50
4pole	9703/5-4	Z7.215.0427.0	50	9703/6-4	Z7.211.0427.0	50
5pole	9703/5-5	Z7.215.0527.0	50	9703/6-5	Z7.211.0527.0	50
6pole	9703/5-6	Z7.215.0627.0	50	9703/6-6	Z7.211.0627.0	50
Cut-to-order strip 0.6 m long	9703/5-M	Z7.215.0027.0	10	9703/6-M	Z7.211.0027.0	10
6. Selectable connecting link		Z7.269.3523.0	50		Z7.269.2923.0	50
7. Ring lug for test plug	9011 D	05.508.8921.0	10	9011 C	05.508.8821.0	10
8. Test plug	ST 2/2,3	Z5.553.2921.0	10	ST 2/2,3	Z5.553.2921.0	10
9. Cover with warn. symbol for 1 block yellow		04.325.1656.0	10		04.325.1056.0	10
10. Busbar						
E-Cu, 10 x 3 mm, tin-plated, I _N = 140 A L = 1 m						
E-Cu, 10 x 3 mm, unplated, I _N = 140 A L = 1 m						
11. Connector clamps for busbar						
25 mm ² 11.1 mm wide						
35 mm ² 14.3 mm wide						
12. Busbar support 6 mm wide						
13. Rapid mounting tool		05.593.5853.0	10		05.593.4153.0	1
For marking accessories see pages 258-263						

Feed-through blocks with screw connection, type 9700 A.. S35

selos CLASSIC LINE



9700 A/16 S35

DIN VDE 0611 Teil 3/11.98

UL ratings

CSA ratings

Width

Approvals

field/factory wiring

Wire strip length

fine-stranded	solid/stranded	V	A
2.5–35 mm ²	2.5–50 mm ²	800 V/8 kV/3	125
No. 6-2 AWG		600 V	115/130
No. 12-2 AWG		600 V	125
16 mm			20 mm



	Type	Part No.	Std. Pack
Feed-through block gray	9700 A/16 S 35	54.035.7553.0	50
Feed-through block, (Ex)i blue	9700 A/16 S 35 BLAU	54.035.7553.6	50
Neutral disconnect block blue			
Ground block green-yellow			
PEN terminal green/yellow - blue			
Accessories			
1. Mounting rail TS 35, DIN rail, 7.5 mm high L = 2 m	35 x 27 x 7,5 EN 60715	98.300.0000.0	1
Mounting rail TS 35, DIN rail 15 mm high L = 2 m	35 x 24 x 15 EN 60715	98.360.0000.0	1
2. End clamp for TS 35, with screw 8 mm wide	9708/2 S35	Z5.522.8553.0	100
3. End plate gray	9701/12	07.310.3353.0	10
blue	9701/12 BLAU	07.310.3353.6	10
green			
4. Partition plate gray	9702/12	07.310.3653.0	10
blue	9702/12 BLAU	07.310.3653.6	10
5. Jumper bar with screws, E-Cu, uninsulated 2pole	9703/16-2	Z7.216.0227.0	50
3pole	9703/16-3	Z7.216.0327.0	50
4pole	9703/16-4	Z7.216.0427.0	50
5pole	9703/16-5	Z7.216.0527.0	50
6pole	9703/16-6	Z7.216.0627.0	50
Cut-to-order strip 0.6 m long			
6. Selectable connecting link		Z7.269.3423.0	50
7. Ring lug for test plug		05.508.6521.0	10
8. Test plug	ST 2/4	Z5.553.3021.0	10
9. Cover with warn. symbol over 1 block yellow		04.325.1456.0	10
10. Busbar			
E-Cu, 10 x 3 mm, tin-plated, I _N = 140 A L = 1 m			
E-Cu, 10 x 3 mm, unplated, I _N = 140 A L = 1 m			
11. Connector clamps for busbar			
25 mm ² 11.1 mm wide			
35 mm ² 14.3 mm wide			
12. Busbar support 6 mm wide			
13. Rapid mounting tool			
For marking accessories see pages 258-263			